

PRE-INSTALLATION GUIDE NOTES

This installation guide has been compiled based upon empirical testing in accordance with **AS 5637.1-2015** and its reference standard **AS ISO 9705 -2003 (R2016)**. In accordance with these provisions, this installation guide serves to illustrate, as far as possible, a means of installing the **ISO² Panel System** in a manner that is consistent with the tested system. To maintain its suitability of use, the onus is on the installer to adhere to these instructions as far as reasonably practical.

The following components are part of the nominated install system and were used as part of the tested system.

The system comprises of the following:

- ◆ **PIRMAX ISO² Panels**
- ◆ Plastic insulation fasteners (Powers C5 Insulation Fastener or approved alternative*)
- ◆ **PIRMAX/AFC100** (100mm) reinforced self-adhesive tape

INSTALLATION CONSIDERATIONS

If there are fire collar penetrations in the soffit, then a clearance of a minimum of 25mm must be maintained between the fire collar and the insulation board. Fire collar penetrations must be taped with **PIRMAX/AFC100** (100mm) reinforced self-adhesive tape in accordance with taping instructions, covering the exposed edge.

The recommend install system is as tested to **AS ISO 9705:2003 (R2016)** in accordance with **A5637.1:2015**. Any variation to this install recommendation will need to be referred to PIRMAX, or the design team on the project.

NOTE 1: This is a building insulation product and not an architectural building lining. Imperfections may occur in the manufacturing process.

NOTE 2: As part of the 15 Year System Warranty a 2-year maintenance period applies for the PIRMAX/AFC100 (100mm) reinforced self-adhesive tape, as part of programmed maintenance, please inspect the installation and reapply tape to areas that may need reapplication.

NOTE 3: These instructions are a guide only and are not to overrule any requirements of a regulatory document such as the National Construction Code (NCC), Building Act, Australian Standards etc. The document is to be read in conjunction with all appropriate regulatory documents, and where a contradiction might exist, the regulatory document shall take precedence.

*Must be approved by a building certifier prior to installation.



**AUSTRALIAN MADE
AUSTRALIAN OWNED**



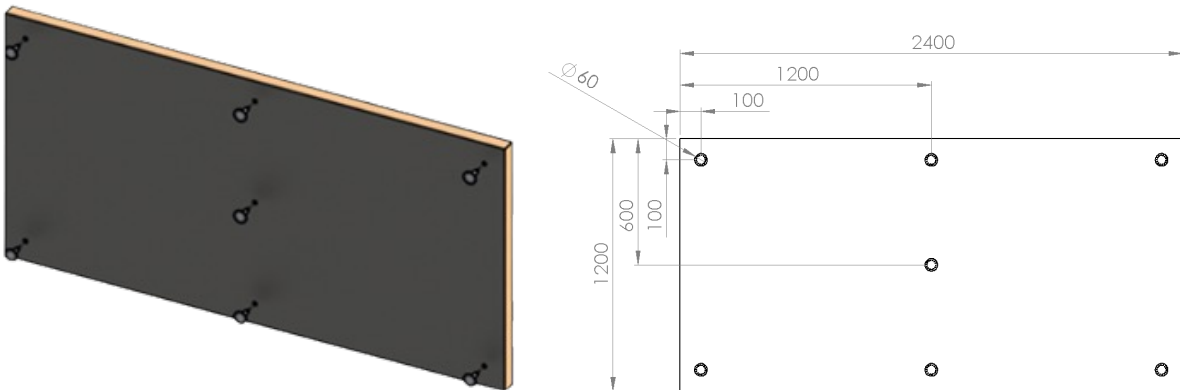
Declare.

DIRECT FIXING TO CEILINGS AND SOFFITS

1. PIN PLACEMENT FOR CEILINGS AND SOFFITS

For a typical 2400mm x 1200mm **ISO² Panel**, a minimum of 7 plastic insulation fasteners per board is required (≥ 2.43 fixings per m²).

Where custom length long boards have been ordered, a minimum fixing density of 2.43 fixings per m² must be maintained. The fixing pattern should resemble a repeat pattern of the diagram below. For smaller panels, fixing should be at located at 100mm from each edge and a maximum 1100mm in the longitudinal direction and 1000mm in the cross direction with every second row requiring a center fixing as indicated below



When fixing the panel to the soffit, start with the centre fixing, this will help support the weight of the board while the remaining fixings are installed.

The plastic fasteners must be installed at a perpendicular the face of the panel. This will ensure a flush placement of the fastener on the **PIRMAX ISO² Panel**.

For end or edge where and exposed edge will be visible, please refer to taping instructions before fastening into position.



**AUSTRALIAN MADE
AUSTRALIAN OWNED**

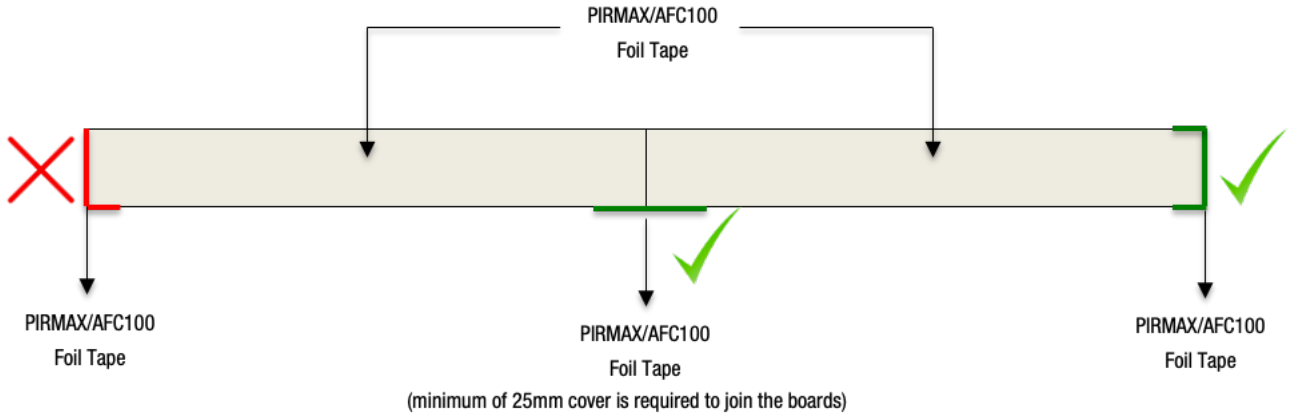


Declare.

DIRECT FIXING TO CEILINGS AND SOFFITS

2. TAPE APPLICATION PIRMAX/AFC100 (100mm) REINFORCED SELF-ADHESIVE TAPE

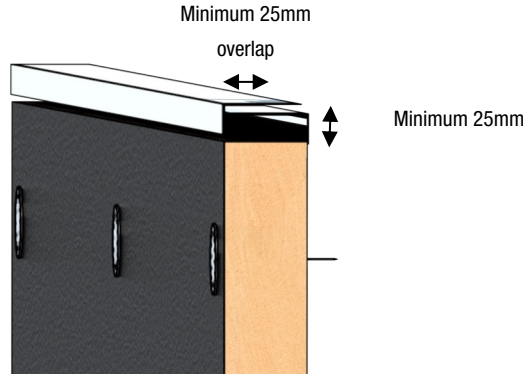
1. The area of application is required to be free of contaminants such as oil or dust. The surface must be cleaned with a clean dry cloth before applying the **PIRMAX/AFC100** (100mm) adhesive tape.
2. Where a surface is unable to be cleaned effectively with a clean dry cloth or if oil containments are present, scrub with a 50:50 mixture of isopropyl alcohol (IPA) until clean. (50% IPA + 50% Water)



4. Wrapping of the centre joints requires equal tape cover along each edge using the **PIRMAX/AFC100** (100mm) reinforced self-adhesive tape. In all cases, a minimum of 25mm coverage from the edge of the panel is required.
5. Wrapping of the end/edges on **PIRMAX ISO² Panels** require the use of **PIRMAX/AFC100** (100mm) reinforced self-adhesive tape and must be wrapped around the ends with a minimum 25mm tape cover top and bottom facing of the **ISO² Panel** facing edge. The wrapping of the edges of ends should occur before fixing the panels into position.

DIRECT FIXING TO CEILINGS AND SOFFITS

2. TAPE APPLICATION PIRMAX/AFC100 (100mm) REINFORCED SELF-ADHESIVE TAPE



5. Where the **ISO² Panel** is more than 50mm thick, the **PIRMAX/AFC100** will not be wide enough to satisfy the minimum 25mm adhesion width to the foil surfaces of the panel. In these instances, two lengths of the **PIRMAX/AFC100** will need to be overlapped by a minimum of 25mm to create a wide edge tape.

6. Once the tape is applied to the **PIRMAX ISO² panel** facing, using a plastic applicator, firm amount of pressure must be applied to the reinforced self-adhesive tape to achieve sufficient wet-out onto the **ISO² Panel**. Sufficient pressure is required to form an adequate bond.

Note: The **PIRMAX/AFC100** (100mm) reinforced self-adhesive tape will not stick to the exposed PIR core. Sufficient adhesions area must be found in contact with the foil facings.



**AUSTRALIAN MADE
AUSTRALIAN OWNED**



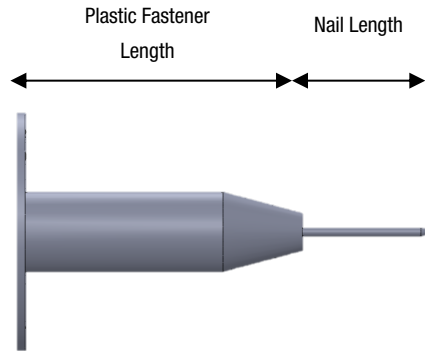
Declare.

DIRECT FIXING TO CEILINGS AND SOFFITS

PIRMAX ISO² PANEL AND PLASTIC FASTENER SIZE COMBINATIONS

PIRMAX ISO ² Product Thickness	Plastic Fastener Length
PIRMAX ISO ² -Panel 25mm	25mm
PIRMAX ISO ² -Panel 30mm	30mm
PIRMAX ISO ² -Panel 40mm	40mm
PIRMAX ISO ² -Panel 50mm	50mm
PIRMAX ISO ² -Panel 60mm	60mm
PIRMAX ISO ² -Panel 70mm	70mm
PIRMAX ISO ² -Panel 75mm	75mm
PIRMAX ISO ² -Panel 80mm	80mm
PIRMAX ISO ² -Panel 90mm	90mm
PIRMAX ISO ² -Panel 100mm	100mm

Nail length in accordance with fixing suppliers recommendation for adequate penetration depth for substrate.



**AUSTRALIAN MADE
AUSTRALIAN OWNED**

